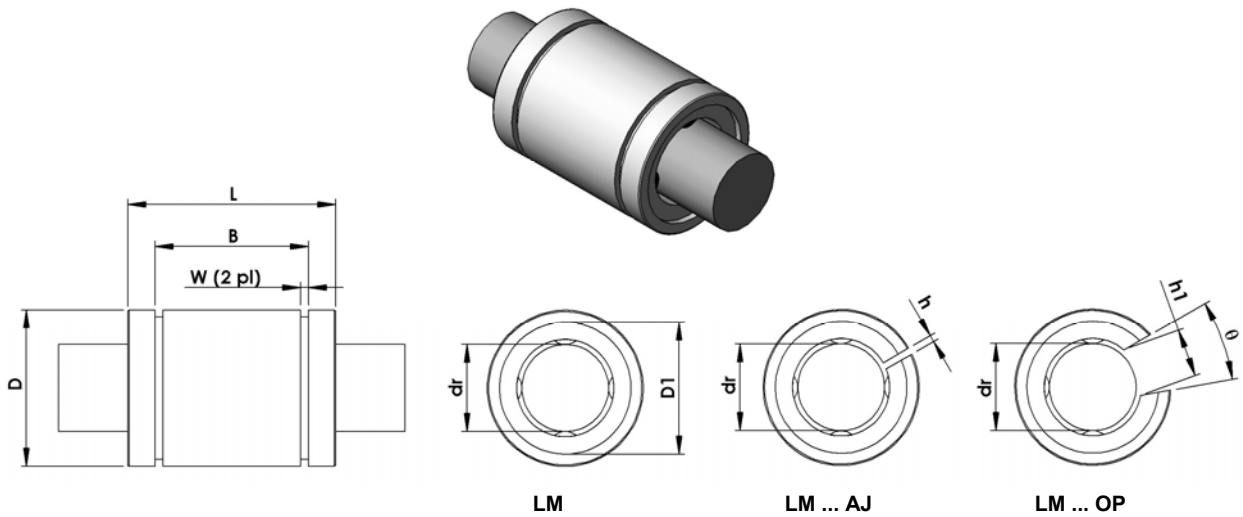


LMxx Bearing

With Synthetic Resin Retainer

Shaft Size: 4 – 16 mm



These LM type bearings are metric series bearings normally used in Japan and other Asian countries.

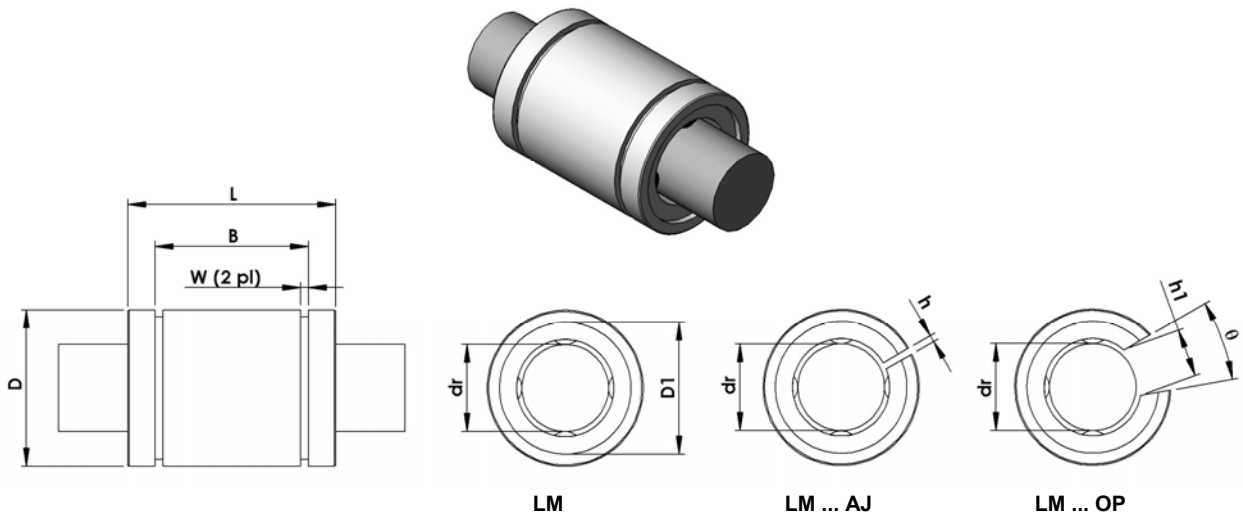
Shaft Dia (mm)	Nominal Part number						dr	dr _{Tolerance}	D	D _{Tolerance}
	w/o seal	with seal	Adjustable Type	Open Type	No of ball row	Wgt. (g)				
4	LM 4	LM 4UU	----	----	4	2	4	0 / -0.008	8	0 / -0.009
5	LM 5	LM 5UU	----	----	4	4	5		10	
6	LM 6	LM 6UU	LM 6-AJ	----	4	8.5	6	0 / -0.009	12	0 / -0.011
8	LM 8S	LM 8SUU	LM 8S-AJ	----	4	11	8		15	
8	LM 8	LM 8UU	LM 8-AJ	----	4	17	8		15	
10	LM 10	LM 10UU	LM 10-AJ	LM 10-OP	4	36	10	0 / -0.009	19	0 / -0.013
12	LM 12	LM 12UU	LM 12-AJ	LM 12-OP	4	42	12		21	
13	LM 13	LM 13UU	LM 13-AJ	LM 13-OP	4	49	13		23	
16	LM 16	LM 16UU	LM 16-AJ	LM 16-OP	5	76	16		28	

Basic P/N	L	L _{Tolerance}	B	B _{Tolerance}	W	D ¹	h	h ¹	q	Eccentricity (max, inch)	Radial Clearance (max)	Load Rating	
												Dyn C (N)	Static Co (N)
LM 4	12	0 / -0.12	----	----	----	----	----	----	----	----	-3	68	127
LM 5	15		10.2	0 / -0.2	0 / -0.2	1.1	9.6	----	----	----	8	-3	167
LM 6	19	13.5	1.1			11.5	1	----	----	12	-3	206	265
LM 8S	17	11.5	1.1			14.3	1	----	----	12	-3	176	225
LM 8	24	17.5	1.1			14.3	1	----	----	12	-3	265	402
LM 10	29	22	1.3			18	1	----	----	12	-4	373	549
LM 12	30	23	1.3			20	1.5	8	80°	12	-4	412	590
LM 13	32	23	1.3			22	1.5	9	80°	12	-4	510	772
LM 16	37	26.5	1.6			27	1.5	11	80°	12	-6	775	1180

LMxx Bearing

With Synthetic Resin Retainer

Shaft Size: 20 – 60 mm



These LM type bearings are metric series bearings normally used in Japan and other Asian countries.

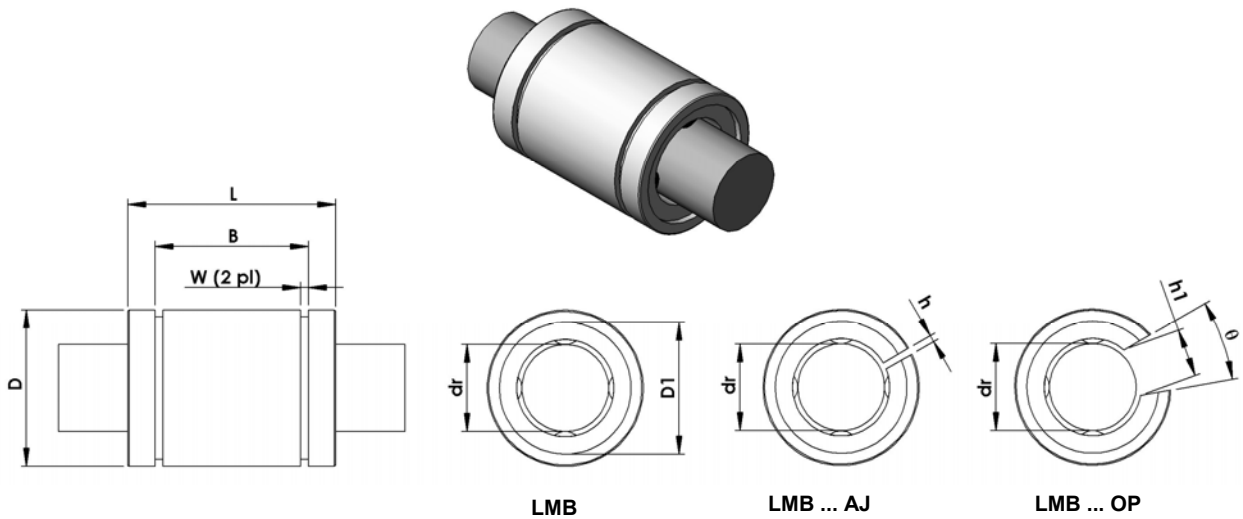
Shaft Dia (mm)	Nominal Part number						dr	dr _{Tolerance}	D	D _{Tolerance}
	w/o seal	with seal	Adjustable Type	Open Type	No of ball row	Wgt. (g)				
20	LM 20	LM 20UU	LM 20-AJ	LM 20-OP	5	100	20	0 / -0.010	32	0 / -0.016
25	LM 25	LM 25UU	LM 25-AJ	LM 25-OP	6	240	25		40	
30	LM 30	LM 30UU	LM 30-AJ	LM 30-OP	6	270	30		45	
35	LM 35	LM 35UU	LM 35-AJ	LM 35-OP	6	425	35	0 / -0.012	52	0 / -0.019
40	LM 40	LM 40UU	LM 40-AJ	LM 40-OP	6	654	40		60	
50	LM 50	LM 50UU	LM 50-AJ	LM 50-OP	6	1700	50	0 / -0.015	80	0 / -0.022
60	LM 60	LM 60UU	LM 60-AJ	LM 60-OP	6	2000	60		90	

Basic P/N	L	L _{Tolerance}	B	B _{Tolerance}	W	D ¹	h	h ¹	q	Eccentricity (max, inch)	Radial Clearance (max, inch)	Load Rating	
												Dyn C (N)	Static Co (N)
LM 20	42	0 / -0.2	30.5	0 / -0.2	1.6	30.5	1.5	11	60°	15	-6	863	1370
LM 25	59	0 / -0.3	41	0 / -0.3	1.85	38	2	12	50°	15	-6	980	1570
LM 30	64		44.5		1.85	43	2.5	15	50°	15	-8	1570	2750
LM 35	70		49.5		2.1	49	2.5	17	50°	20	-8	1670	3140
LM 40	80		60.5		2.1	57	3	20	50°	20	-10	2162	4020
LM 50	100		74		2.6	76.5	3	25	50°	20	-13	3820	7940
LM 60	110		85		3.15	86.5	3	30	50°	25	-13	4710	10000

LMBxx Bearing

With Synthetic Resin Retainer

Shaft Size: 0.25 – 2 inch



These LMB type bearings are inch series bearings normally used in the US.

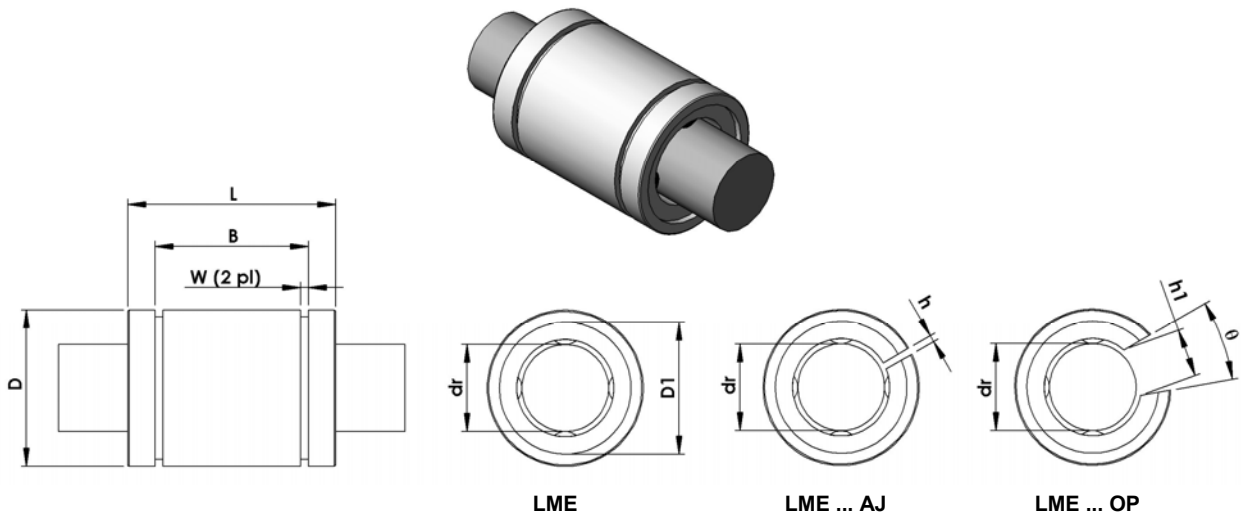
Shaft Dia (inch)	Nominal Part number						dr	dr _{Tolerance}	D	D _{Tolerance}
	w/o seal	with seal	Adjustable Type	Open Type	No of ball row	Wgt. (lbf)				
1 / 4	LMB 4	LMB 4UU	LMB 4-AJ	-----	4	0.021	0.25	0 / -0.009	0.5000	0 / -0.00045
3/8	LMB 6	LMB 6UU	LMB 6-AJ	-----	4	0.033	0.375		0.6250	
1 / 2	LMB 8	LMB 8UU	LMB 8-AJ	LMB 8-OP	4	0.093	0.5		0.8750	0 / -0.0005
5/8	LMB 10	LMB 10UU	LMB 10-AJ	LMB 10-OP	4	0.187	0.625		1.1250	
3/4	LMB 12	LMB 12UU	LMB 12-AJ	LMB 12-OP	5	0.229	0.75	0 / -0.010	1.2500	0 / -0.00065
1	LMB 16	LMB 16UU	LMB 16-AJ	LMB 16-OP	6	0.485	1		1.5625	
1-1 / 4	LMB 20	LMB 20UU	LMB 20-AJ	LMB 20-OP	6	1.025	1.25	0 / -0.012	2.0000	0 / -0.00075
1-1 / 2	LMB 24	LMB 24UU	LMB 24-AJ	LMB 24-OP	6	1.587	1.5		2.3750	
2	LMB 32	LMB 32UU	LMB 32-AJ	LMB 32-OP	6	2.888	2		3.0000	

Basic P/N	L	L _{Tolerance}	B	B _{Tolerance}	W	D ¹	h	h ¹	q	Eccentricity (max, inch)	Radial Clearance (max, inch)	Load Rating	
												Dyn C (lbf)	Static Co (lbf)
LMB 4	0.750	0 / -0.008	0.5110	0 / -0.008	0.0390	0.4687	0.04	-----	---	-0.0005	-0.0001	46.3	59.6
LMB 6	0.875		0.6358		0.0390	0.5880	0.04	-----	---	-0.0005	-0.0001	50.6	70.6
LMB 8	1.250		0.9625		0.0459	0.8209	0.06	0.340	80°	-0.0005	-0.0001	114.7	176.3
LMB 10	1.500		1.1039		0.0559	1.0590	0.06	0.375	80°	-0.0005	-0.0001	174.0	265.3
LMB 12	1.625		1.1657		0.0559	1.1760	0.06	0.4375	60°	-0.0006	-0.0002	193.8	308.0
LMB 16	2.250	0 / -0.012	1.7547	0 / -0.012	0.0679	1.4687	0.06	0.5625	50°	-0.0006	-0.0002	220.3	353.0
LMB 20	2.625		2.0047		0.0679	1.8859	0.10	0.625	50°	-0.0008	-0.0003	353.0	616.0
LMB 24	3.000		2.4118		0.0859	2.2389	0.12	0.750	50°	-0.0008	-0.0003	490.1	903.8
LMB 32	4.000		3.1917		0.1029	2.8379	0.12	1.000	50°	-0.0010	-0.0005	858.8	1785.1

LMExx Bearing

With Synthetic Resin Retainer

Shaft Size: 4 – 20 mm



These LME type bearings are metric series bearings normally used in Europe.

Shaft Dia (mm)	Nominal Part number						dr	dr _{Tolerance}	D	D _{Tolerance}
	w/o seal	with seal	Adjustable Type	Open Type	No of ball row	Wgt. (g)				
4	LME 4*	LME 4UU*	----	----	4	9	4	0.008 / 0	8	0 / -0.008
5	LME 5	LME 5UU	LME 5-AJ	----	4	11	5		12	
8	LME 8	LME 8UU	LME 8-AJ	----	4	22	8		16	
10	LME 10*	LME 10UU*	LME 10-AJ*	LME 10-OP*	4	29.5	10		19	
12	LME 12	LME 12UU	LME 12-AJ	LME 12-OP	4	45	12	0.009 / -0.001	22	0 / -0.009
16	LME 16	LME 16UU	LME 16-AJ	LME 16-OP	5	60	16		26	
20	LME 20	LME 20UU	LME 20-AJ	LME 20-OP	5	102	20		32	

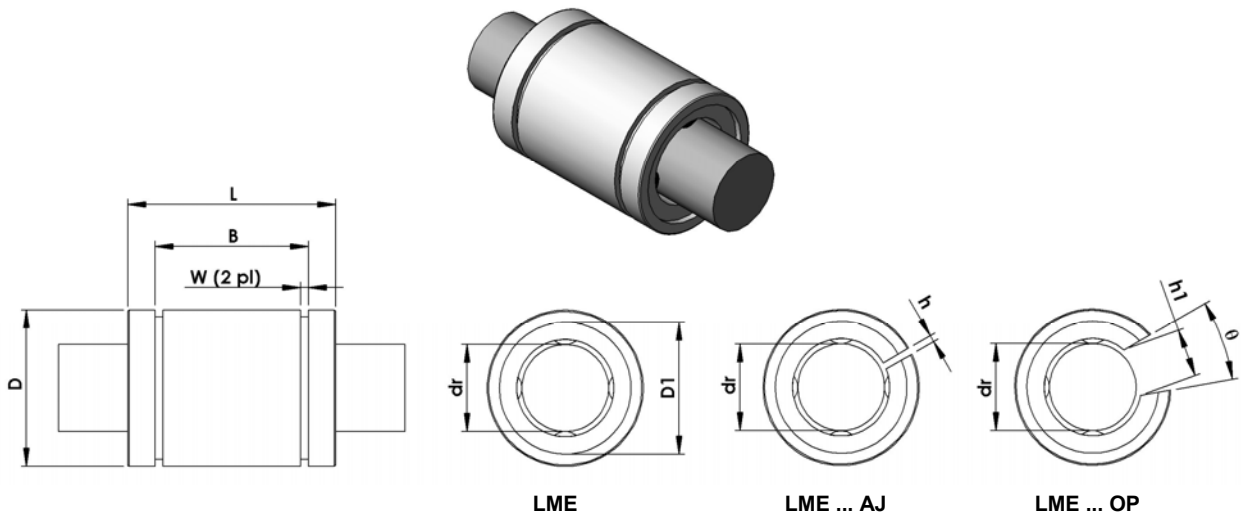
Basic P/N	L	L _{Tolerance}	B	B _{Tolerance}	W	D ¹	h	h ¹	θ	Eccentricity (max, inch)	Radial Clearance (max, inch)	Load Rating	
												Dyn C (N)	Static Co (N)
LME 4*	12	0 / -0.12	----	----	----	----	----	----	----	----	-3	88	127
LME 5	22	0 / -0.2	14.5	0 / -0.2	1.1	11.5	1	----	----	12	-3	206	265
LME 8	25		16.5		1.1	15.2	1	----	----	12	-3	265	402
LME 10*	29		22		1.3	18	1	----	----	12	-4	372	549
LME 12	32		22.9		1.3	21	1.5	7.5	78°	12	-4	510	784
LME 16	36		24.9		1.3	24.9	1.5	10	78°	12	-4	578	892
LME 20	45		31.5		1.6	30.5	2	10	60°	15	-6	862	1370

* Available as special order item

LMExx Bearing

With Synthetic Resin Retainer

Shaft Size: 25 – 60 mm



These LME type bearings are metric series bearings normally used in Europe.

Shaft Dia (mm)	Nominal Part number						dr	dr _{Tolerance}	D	D _{Tolerance}
	w/o seal	with seal	Adjustable Type	Open Type	No of ball row	Wgt. (g)				
25	LME 25	LME 25UU	LME 25-AJ	LME 25UOP	6	235	25	0.011 / -0.001	40	0 / -0.011
30	LME 30	LME 30UU	LME 30-AJ	LME 30-OP	6	360	30		47	
40	LME 40	LME 40UU	LME 40-AJ	LME 40-OP	6	720	40	0.013 / -0.002	62	0 / -0.013
50	LME 50	LME 50UU	LME 50-AJ	LME 50-OP	6	1570	50		75	
60	LME 60	LME 60UU	LME 60-AJ	LME 60-OP	6	2220	60		90	0 / -0.015

Basic P/N	L	L _{Tolerance}	B	B _{Tolerance}	W	D ¹	h	h ¹	θ	Eccentricity (max, inch)	Radial Clearance (max, inch)	Load Rating	
												Dyn C (N)	Static Co (N)
LME 25	58	0 / -0.3	44.1	0 / -0.3	1.85	38	2	12.5	60°	15	-6	980	1570
LME 30	68		52.1		1.85	44.5	2	12.5	50°	15	-8	1570	2740
LME 40	80		60.6		2.15	59	3	16.8	50°	17	-8	2160	4020
LME 50	100		77.6		2.65	72	3	21	50°	17	-13	3820	7940
LME 60	125	0 / -0.4	101.7	0 / -0.4	3.15	86.5	3	27.2	54°	20	-13	4700	9800