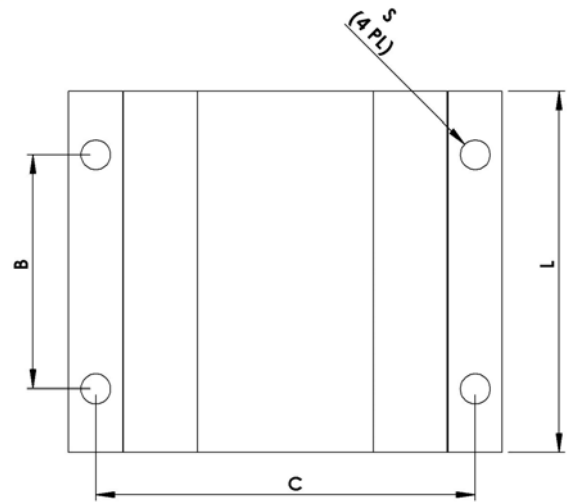
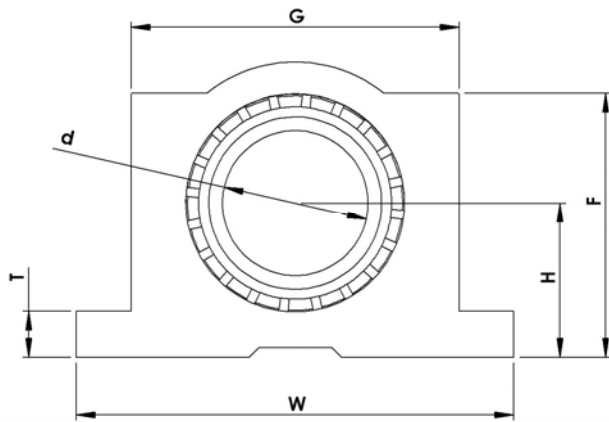
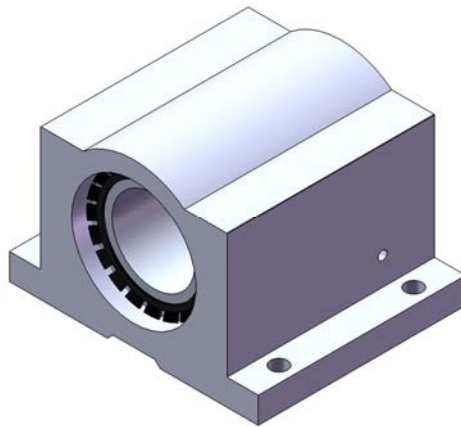


# WSPBxx Aluminum Pillow Blocks

Shaft Size: 0.50 – 2 inch

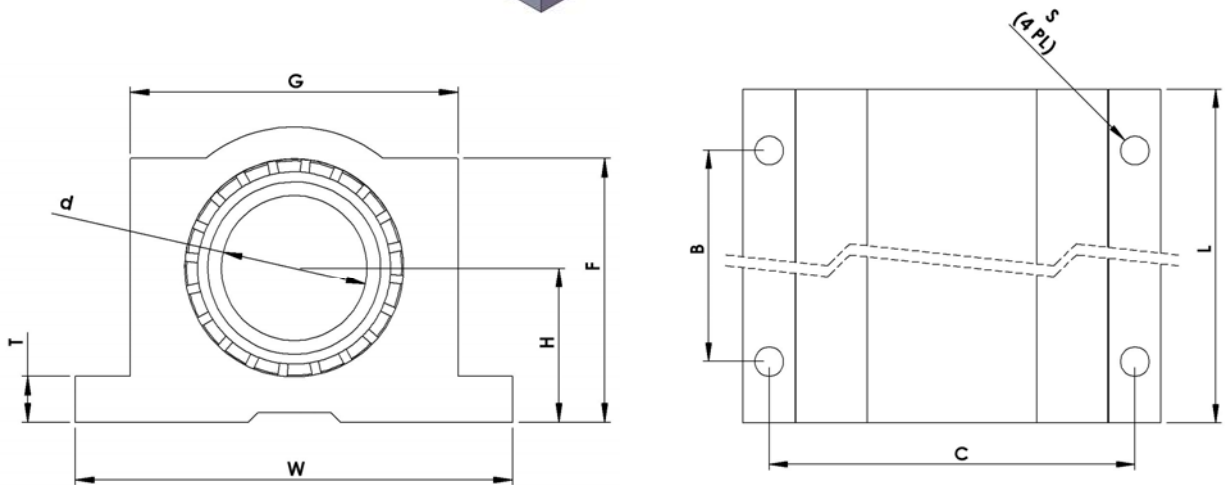
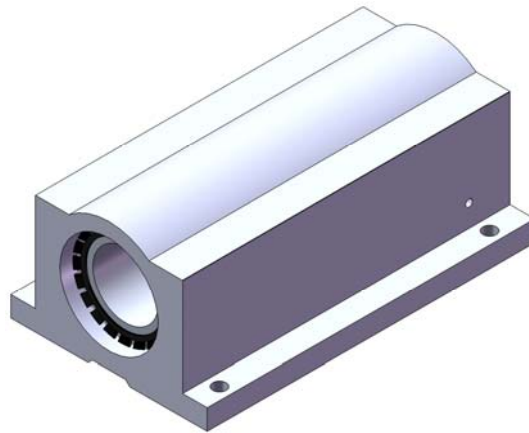


Pillow block pre-assembled with LMBS bearing and 2 internal retaining ring.

Pillow Block Assembly P/N	d - Shaft Dia (inch)	F	G	H	T	W	B	C	L	S	Basic Load Rating		Weight (lb)
											Dyn C (lbf)	Static Co (lbf)	
WSPB8	0.5	1.125	1.375	0.687	0.250	2.000	1.000	1.688	1.688	0.16	190	190	0.2
WSPB10	0.625	1.437	1.750	0.875	0.281	2.500	1.125	2.125	1.937	0.19	290	340	0.5
WSPB12	0.75	1.562	1.875	0.937	0.312	2.750	1.250	2.375	2.063	0.19	500	430	0.6
WSPB16	1	1.937	2.375	1.187	0.375	3.250	1.750	2.875	2.813	0.22	820	780	1.2
WSPB20	1.25	2.500	3.000	1.500	0.437	4.000	2.000	3.500	3.625	0.22	1240	1270	2.5
WSPB24	1.5	2.937	3.500	1.750	0.500	4.750	2.500	4.125	4.000	0.28	1510	1540	3.8
WSPB32	2	3.625	4.500	2.125	0.625	6.000	3.250	5.250	5.000	0.41	2230	2580	7.00

# WTWNxx Aluminum Pillow Blocks

Shaft Size: 0.50 – 2 inch

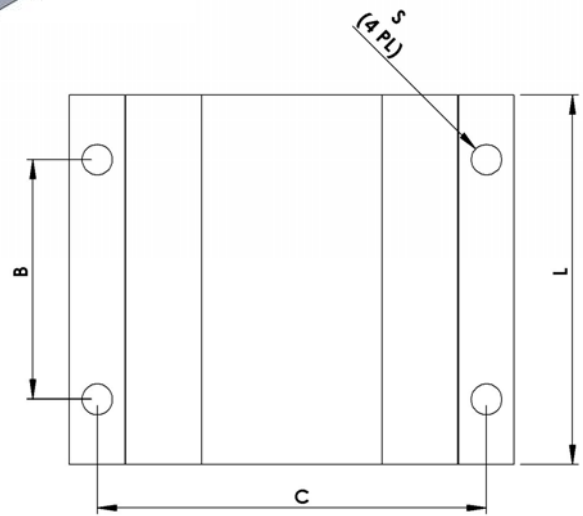
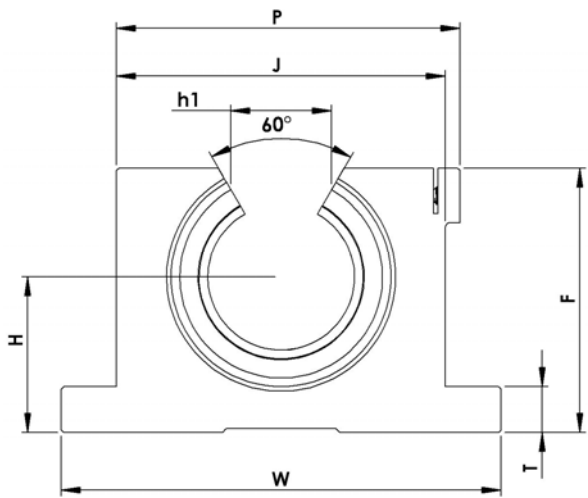
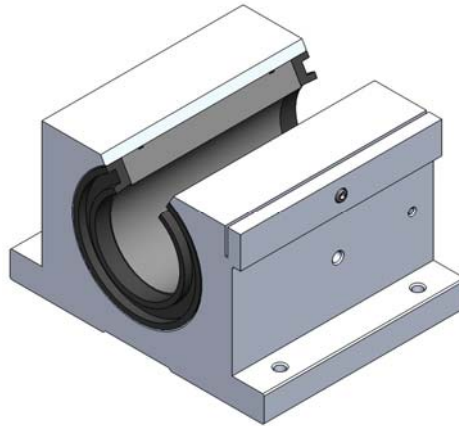


Pillow block pre-assembled with 2 LMBS bearings and 2 internal retaining ring.

Pillow Block Assembly P/N	d - Shaft Dia (inch)	F	G	H	T	W	B	C	L	S	Basic Load Rating		Weight (lb)
											Dyn C (lbf)	Static Co (lbf)	
WTWN08	0.5	1.125	1.375	0.687	0.250	2.00	2.50	1.688	3.5	0.16	380	380	0.4
WTWN10	0.625	1.437	1.750	0.875	0.281	2.50	3.00	2.125	4	0.19	580	680	1.0
WTWN12	0.75	1.562	1.875	0.937	0.312	2.75	3.50	2.375	4.5	0.19	1000	860	1.2
WTWN16	1	1.937	2.375	1.187	0.375	3.25	4.50	2.875	6	0.22	1640	1560	2.4
WTWN20	1.25	2.500	3.000	1.500	0.437	4.00	5.50	3.500	7.5	0.22	2480	2540	5.0
WTWN24	1.5	2.937	3.500	1.750	0.500	4.75	6.50	4.125	9	0.28	3020	3080	7.8
WTWN32	2	3.625	4.500	2.125	0.625	6.00	8.25	5.250	10	0.41	4460	5160	14.5

# WSPBxxOPN Aluminum Pillow Blocks

Shaft Size: 0.50 – 2 inch



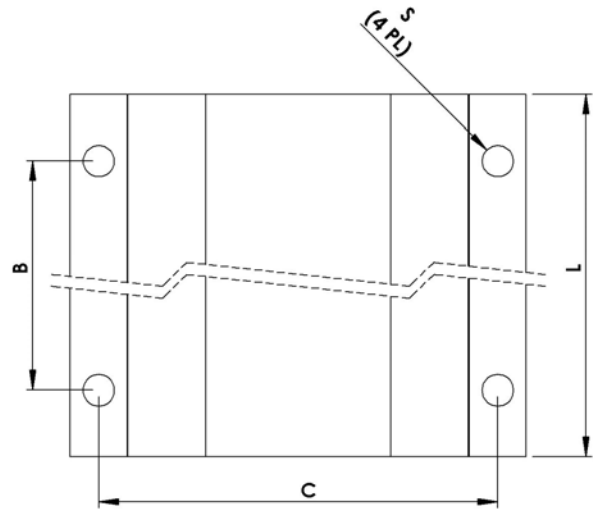
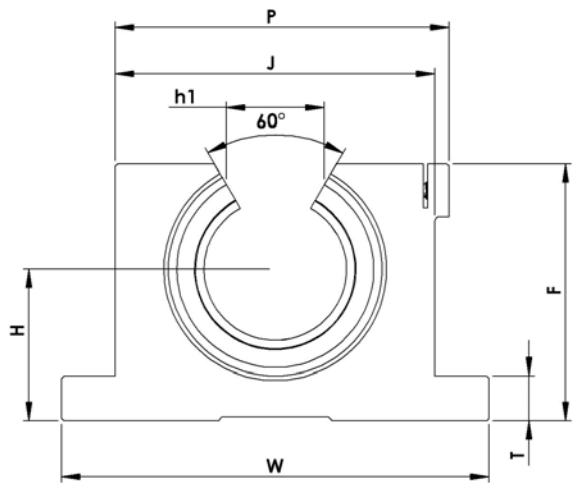
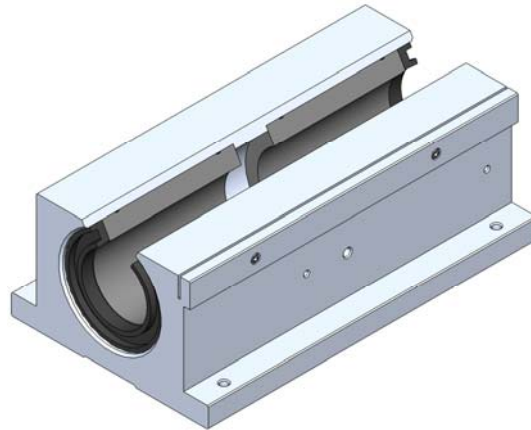
3D model and drawing show with optional rubber seals on each end.

Pillow block pre-assembled with LMBS bearing and optional 2 rubber seals.

Pillow Block Assembly P/N	d - Shaft Dia (inch)	F	H	h1	J	P	T	W	B	C	L	S	Basic Load Rating		Weight (lb)
													Dyn C (lbf)	Static Co (lbf)	
WSPB08OPN	0.5	1.122	0.687	0.42	1.41	1.44	0.257	2.00	1.000	1.688	1.500	0.16	210	190	0.22
WSPB10OPN	0.625	1.438	0.875	0.53	1.75	1.81	0.280	2.50	1.125	2.125	1.750	0.19	320	340	0.43
WSPB12OPN	0.75	1.563	0.937	0.62	1.91	1.97	0.310	2.75	1.250	2.375	1.875	0.19	510	430	0.56
WSPB16OPN	1	2.000	1.187	0.76	2.41	2.47	0.380	3.25	1.750	2.875	2.625	0.22	830	780	1.22
WSPB20OPN	1.25	2.500	1.500	0.95	3.00	3.09	0.437	4.00	2.000	3.500	3.375	0.22	1250	1270	2.33
WSPB24OPN	1.5	2.937	1.750	1.19	3.50	3.56	0.500	4.75	2.500	4.125	3.750	0.28	1520	1540	3.62
WSPB32OPN	2	3.620	2.125	1.49	4.49	4.69	0.625	6.00	3.250	5.250	4.750	0.41	2250	2580	6.94

# WTWNxxOPN Aluminum Pillow Blocks

Shaft Size: 0.50 – 2 inch



3D model and drawing show with optional rubber seals on each end.

Pillow block pre-assembled with 2 LMBS bearing and optional 2 rubber seals.

Pillow Block Assembly P/N	d - Shaft Dia (inch)	F	H	h1	J	P	T	W	B	C	L	S	Basic Load Rating		Weight (lb)
													Dyn C (lbf)	Static Co (lbf)	
WTWN08OPN	0.5	1.122	0.687	0.42	1.41	1.44	0.257	2.00	2.50	1.688	3.5	0.16	420	380	0.5
WTWN10OPN	0.625	1.438	0.875	0.53	1.75	1.81	0.280	2.50	3.00	2.125	4.0	0.19	640	680	0.9
WTWN12OPN	0.75	1.563	0.937	0.62	1.91	1.97	0.310	2.75	3.50	2.375	4.5	0.19	1020	860	1.2
WTWN16OPN	1	2.000	1.187	0.76	2.41	2.47	0.380	3.25	4.50	2.875	6.0	0.22	1660	1560	2.4
WTWN20OPN	1.25	2.500	1.500	0.95	3.00	3.09	0.437	4.00	5.50	3.500	7.5	0.22	2500	2540	4.9
WTWN24OPN	1.5	2.937	1.750	1.19	3.50	3.56	0.500	4.75	6.50	4.125	9.0	0.28	3040	3080	8.0
WTWN32OPN	2	3.620	2.125	1.49	4.49	4.69	0.625	6.00	8.25	5.250	10.0	0.41	4500	5160	14.4